



LCD2USB 4002 VFD Module

Model No.: SUV4002A



Business Card



Wechat Card

Shenzhen Surenoo Technology Co.,Ltd.

www.surenoo.com

E-mail: info@surenoo.com

Skype: Surenoo365

Reference Software & Driver

USB Display Selection Guide



LCD2USB Driver



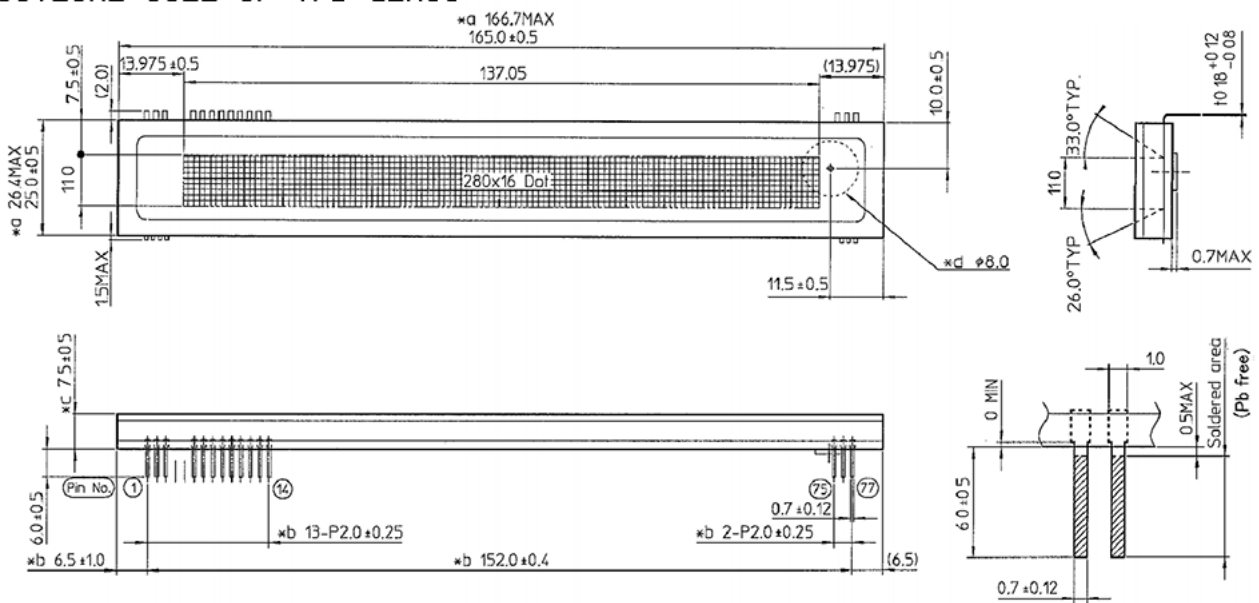
AIDA64



PART A: Specification of LCD2USB VFD Module

- >> Using VFD vacuum fluorescent display, the effect is more beautiful than LCD;
- >> The hardware status of the computer and other computer status information can be sent to USB2VFD via USB (AIDA64);
- >> Outline Size=175 x 30 mm, with fixing screw holes (2mm).

OUTLINE SIZE OF VFD GLASS



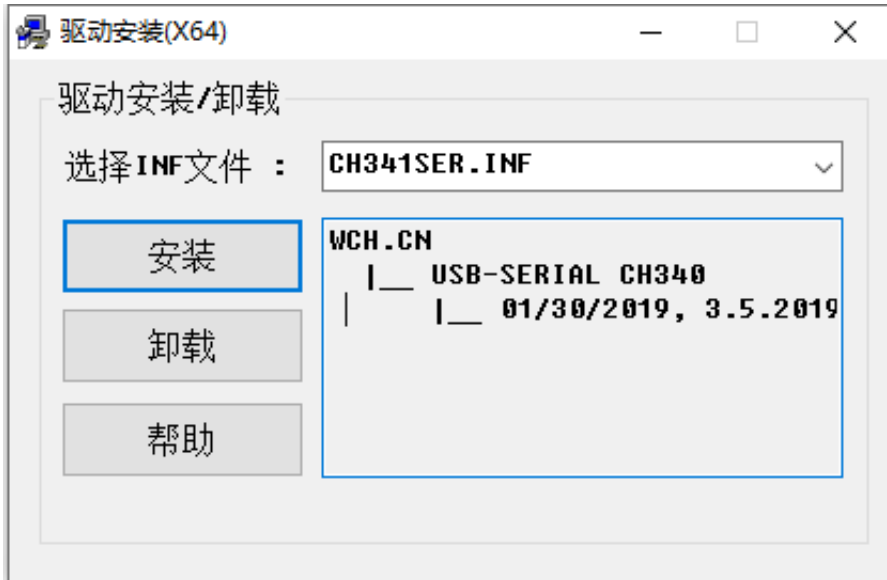


PART B: Install LCD2USB Driver

>> How to Install LCD2USB driver?

Driver Download Link:

<http://www.wch-ic.com/downloads/file/65.html>



Note: Inject device while install driver

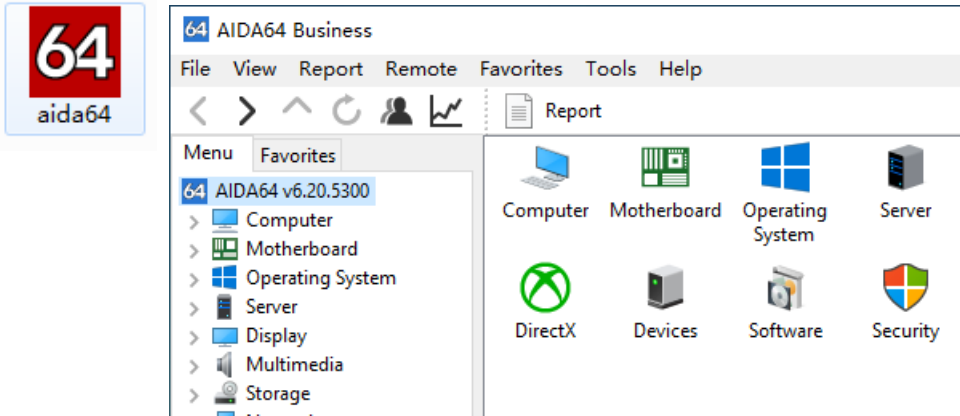
After install USB TTL driver, inject device, COM&LPT list can show CH340 and COM No.



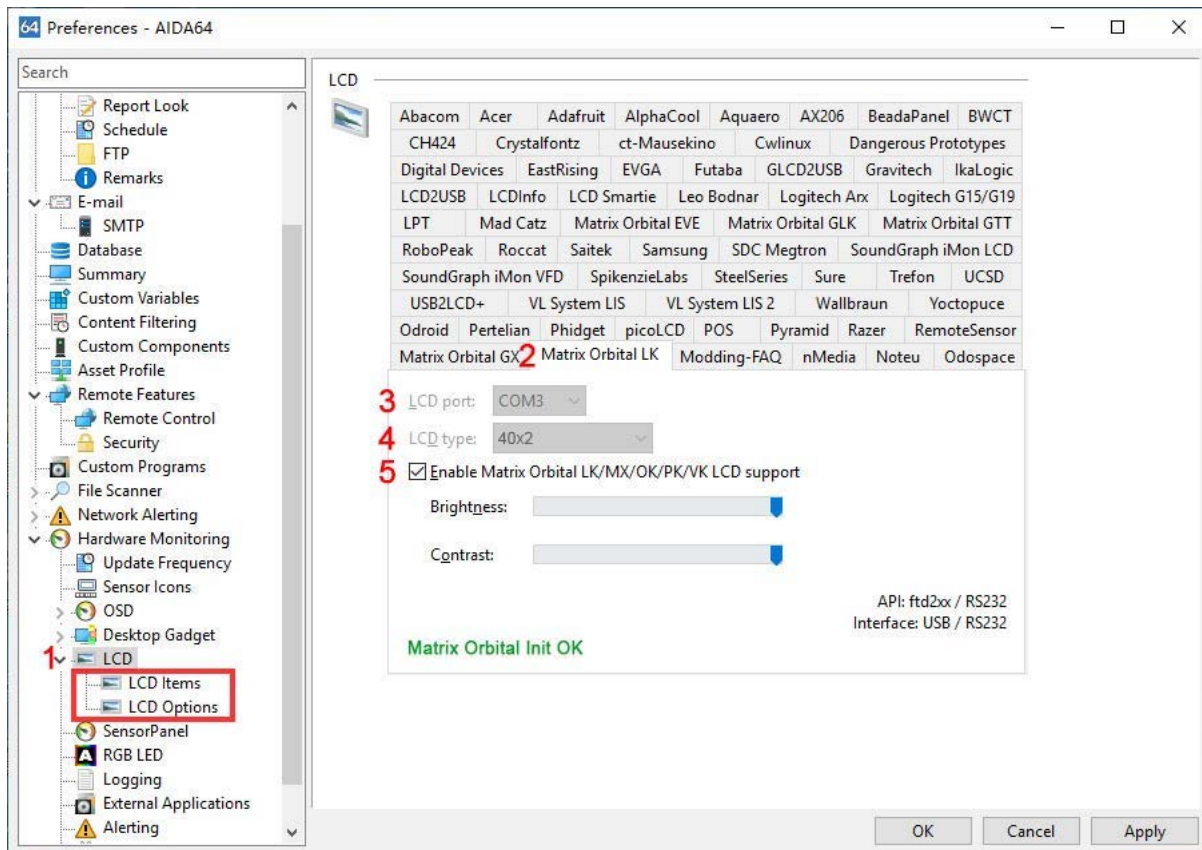


PART C: AIDA64

1. Run "AIDA64"



2. Select "Files / Preferences...", enter setting surface. And then steps 1, 2, 3, 4, 5 as following picture.



3. About Display Content Setting, please click "LCD Items" & "LCD Options". Please search more information on Google for "AIDA64 Setting Guide".