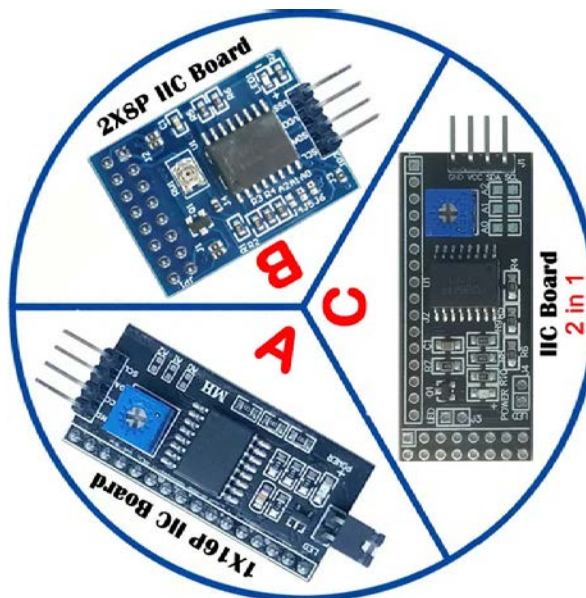




Surenoo IIC Adapter Board USER MANUAL



E-mail: info@surennoo.com
Skype: Surenoo365

Reference link

[Surenoo IIC Display Selection Guide](#)

[PCF8574](#)

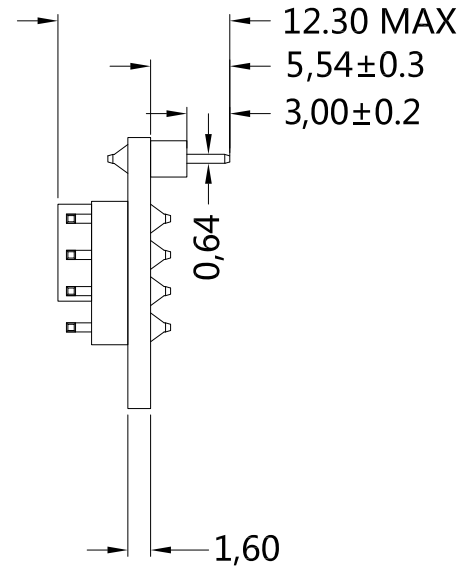
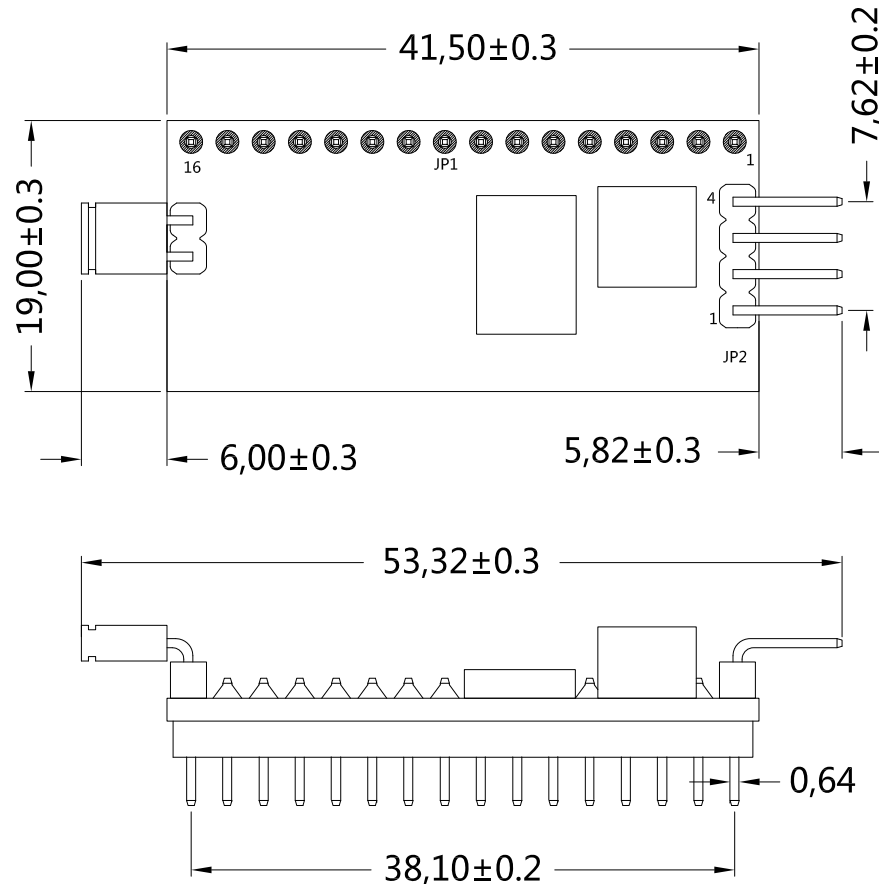
[Arduino Library](#)

[Arduino Example](#)



Surenoo IIC Adapter A (1X16Pin)

REV	DESCRIPTION	DESIGN	DATE
A	1 ST DEGIN	JAVEN	Jul-17-2019



JP1 (Connect to Character Display) JP2 (Connect to Arduino Board)

PIN NO.	SIGNAL
1	VSS
2	VDD
3	V0
4	RS
5	R/W
6	E
7	DB0
8	DB1
9	DB2
10	DB3
11	DB4
12	DB5
13	DB6
14	DB7
15	LEDA
16	LEDK

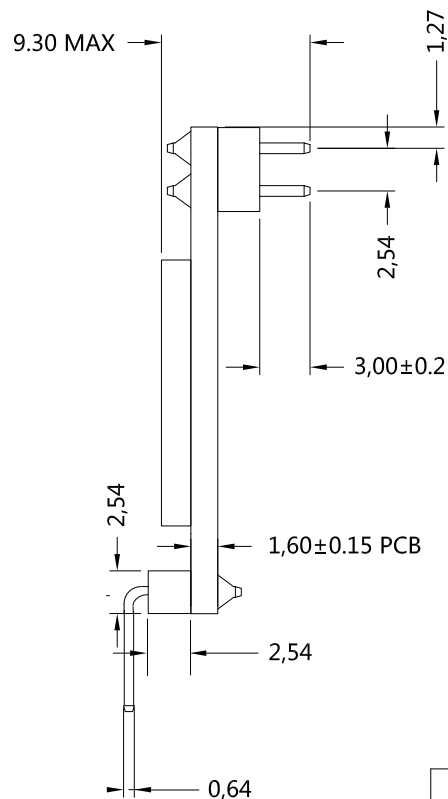
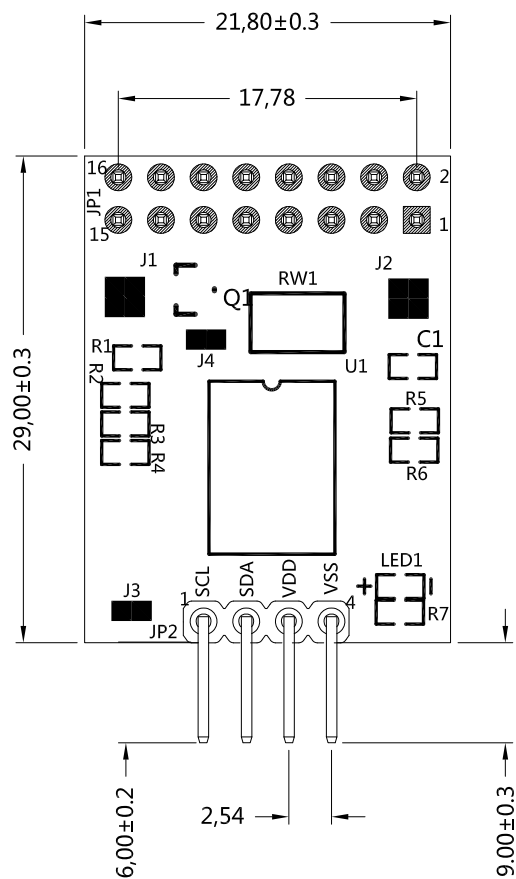
PIN NO.	SIGNAL
1	SCL
2	SDA
3	VDD 5V
4	VSS



APPROVALS		DATE	GENERAL TOL.	UNITS MM
APP				
CHK			PROJECTION	SHEET: 1
VN	JIM	Jul-17-2019		



Surenoo IIC Adapter B (2X8Pin)



REV	DESCRIPTION	DESIGN	DATE
A	1 ST DEGIN	JAVEN	Jul-17-2019

JP1 (Connect to Character Display)		JP2 (Connect to Arduino Board)	
PIN NO.	SIGNAL	PIN NO.	SIGNAL
1	VSS	1	SCL
2	VDD	2	SDA
3	V0	3	VDD 5V
4	RS	4	VSS
5	R/W		
6	E		
7	DB0		
8	DB1		
9	DB2		
10	DB3		
11	DB4		
12	DB5		
13	DB6		
14	DB7		
15	LEDA		
16	LEDK		

SHENZHEN SURENOO TECHNOLOGY CO.,LTD.
深圳市襄诺科技有限公司

www.surenoo.com info@surenoo.com

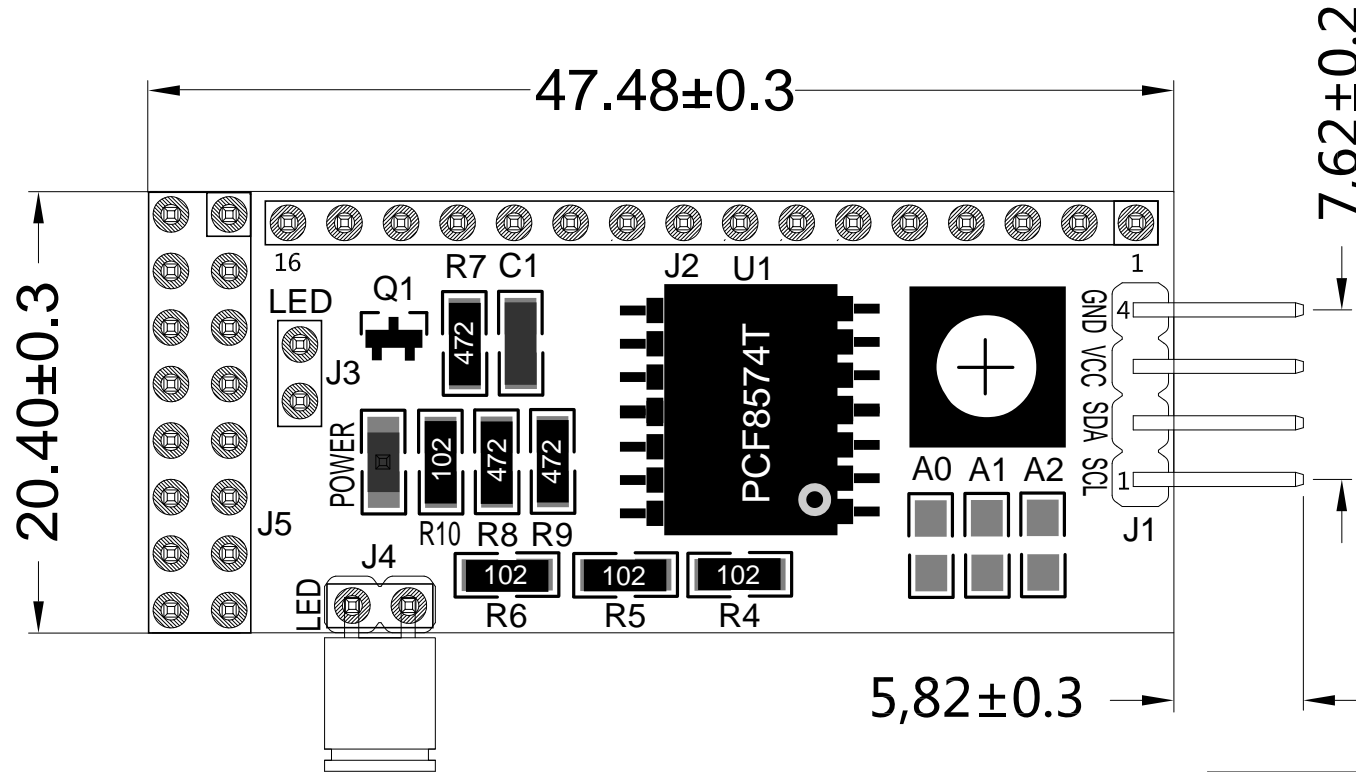
APPROVALS	DATE		
APP			GENERAL TOL. UNITS SCALE: MM
CHK			N.T.S.
VN	JIM	Jul-17-2019	PROJECTION SHEET: 1

Not specified tolerances - 0.3mm



Surenoo IIC Adapter C (1X16Pin / 2X8Pin)

REV	DESCRIPTION	DESIGN	DATE
A	1 ST DEGIN	JAVEN	Jul-17-2019



J1&J5 (Connect to Character Display)		J1 (Connect to Arduino Board)	
PIN NO.	SIGNAL	PIN NO.	SIGNAL
1	VSS	1	SCL
2	VDD	2	SDA
3	V0	3	VDD 5V
4	RS	4	VSS
5	R/W		
6	E		
7	DB0		
8	DB1		
9	DB2		
10	DB3		
11	DB4		
12	DB5		
13	DB6		
14	DB7		
15	LEDA		
16	LEDK		



APPROVALS	DATE	GENERAL TOL.	UNITS
APP		SCALE:	MM
CHK		N.T.S.	
VN	JIM	Not specified tolerances . 0.3mm	PROJECTION SHEET: 1



Interfacing I2C Adapter Board to Arduino Board

